

**Amendments to the Drawings:**

The attached sheets of drawing include changes to Figures 2A and 12. These sheets replace the original sheets including Figures 2A, 2B, 2C, 2D, 11 and 12.

Attachments: 2 Annotated Sheets Showing Changes

Five (5) Sheets Formal Drawings comprising Figures 1-12

**REMARKS**

Applicant submits corrected drawings for Figures 2A and 12 and also submits a full set of formal drawings.

In view of the foregoing, the application is believed to be in condition for examination. Early examination is respectfully requested.

Respectfully submitted,

BANNER & WITCOFF, LTD.

By:



Jon O. Nelson  
Counsel for Applicant  
Reg. No. 24,566

Date: January 8, 2004

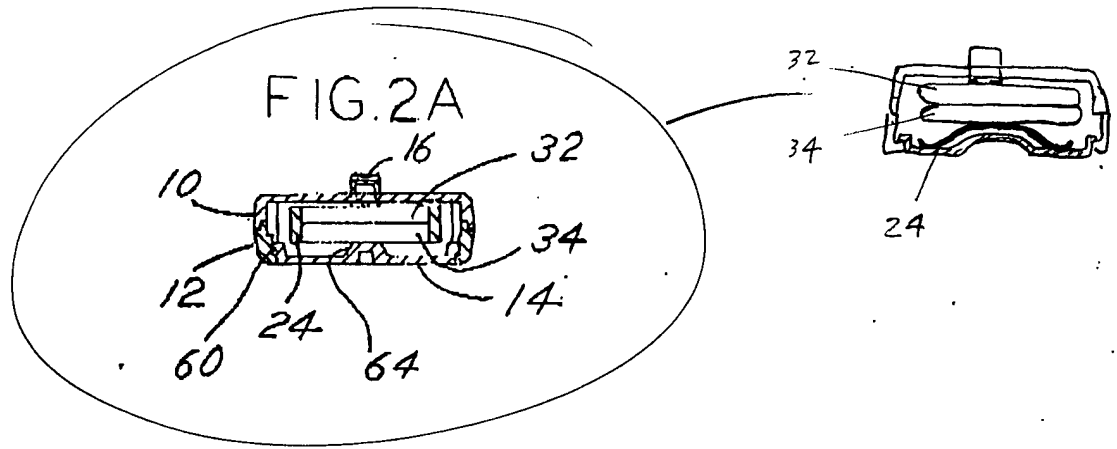


FIG. 2B

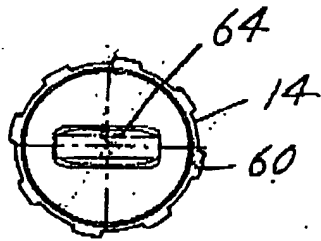


FIG. 2C



FIG. 2D

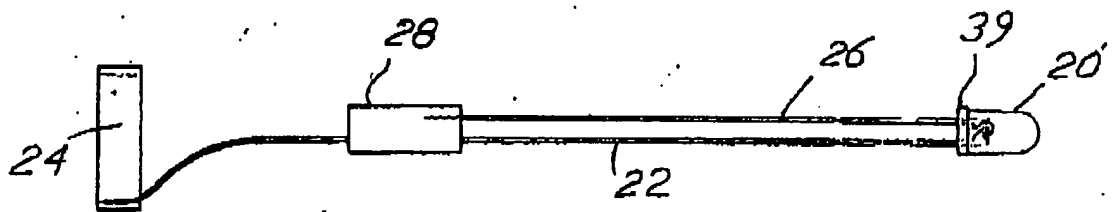
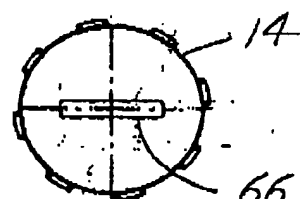


FIG. 11

FIG. 12

